



NISSAN T30 X-TRAIL WITH SUNROOF CARGO BARRIER FITTING INSTRUCTION PART No 405500



YEARS OF MANUFACTURE – MAY 2002 ONWARDS.

This Cargo Barrier is a single position barrier located behind the 2nd row of seats. The Cargo Barrier is designed to be fitted to a Sunroof model. The Milbolt system featured in this barrier enables easy fitment.

The cargo barrier is designed, manufactured and fitted to decrease the impact hazard in an accident to occupants from cargo carried within the interior cargo space of the vehicle. In the event of an accident, a cargo barrier can reduce injuries caused by cargo intruding into occupant's space.

The installation kit contains sufficient components to fit the cargo barrier. A high degree of technical competence is necessary to correctly install this product. We recommend this Cargo Barrier be installed by an Authorised outlet to ensure the barrier installation complies with AS/NZS 4034 Standard.



WARNING

- **Strict compliance with fitting instructions is essential for this safety product to perform as designed. Refer user instructions regarding correct usage of the Cargo Barrier.**
- **Seat, seat belt or child restraint anchorages must not be used for mounting the Cargo Barrier.**
- **Where high tensile threaded fasteners are used, the cargo barrier must be installed using the size and grade fasteners specified by Milford Industries.**
- **Do not drill, rivet, adhere or attach objects to the front or rear of the Cargo Barrier.**
- **When load is positioned against cargo barrier, secure the load with a restraint system.**
- **During a collision moving cargo may damage seat belts or tether straps of a child restraint device, or its anchorage. Load should be carefully positioned so as not to come in contact with these items.**
- **Do not obstruct seat belts or child restraints, or their operation.**
- **Long thin items of cargo should be positioned in the vehicle with the long axis across the vehicle to minimize the penetration risk.**
- **If involved in an accident or accidentally damaged, the cargo barrier should be replaced and the anchorage's repaired to as new condition.**
- **Clean with soap and water only. Do not use solvents or chemicals. Discard Cargo Barrier if it becomes rusted.**
- **Do not store cargo barrier outside in direct sunlight.**
- **It is extremely dangerous to ride in the cargo area of the vehicle behind the cargo barrier. It is recommended that the cargo barrier be removed. In a collision people or children riding unrestrained in these areas are more likely to be seriously injured or killed.**
- **Never leave a child in the vehicle unattended, particularly in the rear cargo area. The cargo area should never be used as a play area for children.**
- **The Cargo Barrier may deform and significantly intrude into occupant's space in an accident.**
- **The plaque shall not be removed from the cargo barrier.**
- **Failure to comply with warning notes may prevent the barrier protecting the occupants.**

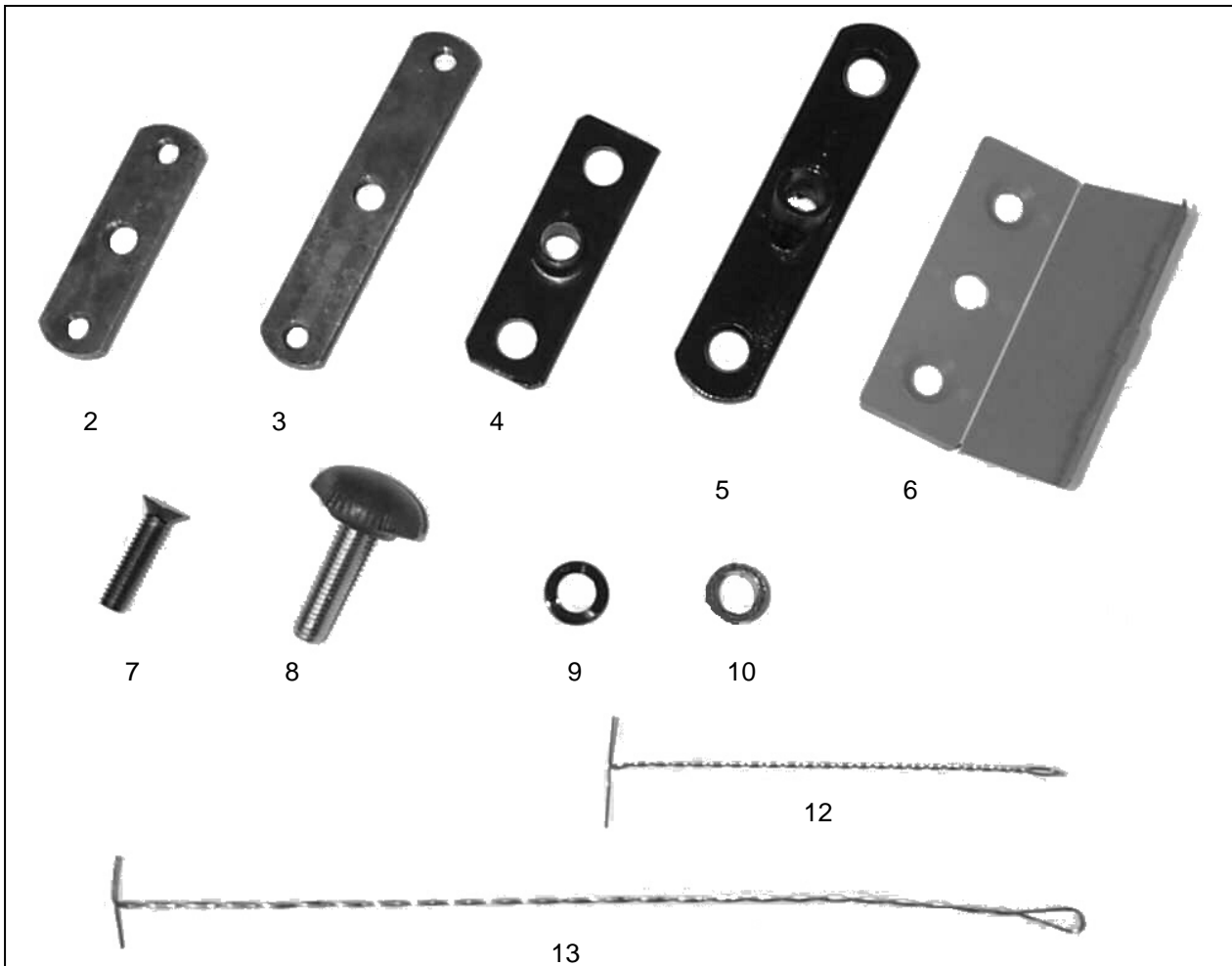
NOTICE TO FITTERS AND DISTRIBUTORS

Please ensure this notice and the fitting instructions are left in the glove box after installation of Cargo Barrier.

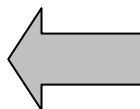
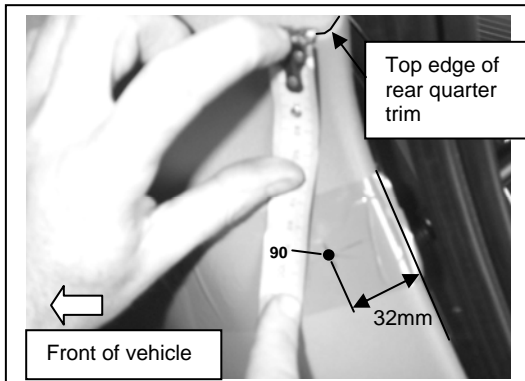
TOOLS REQUIRED	<ul style="list-style-type: none"> <input type="checkbox"/> Hammer <input type="checkbox"/> Screwdriver <input type="checkbox"/> Drill <input type="checkbox"/> Masking Tape <input type="checkbox"/> Marker <input type="checkbox"/> Centre Punch <input type="checkbox"/> 5mm, 9mm, 12mm Drill Bits <input type="checkbox"/> 22mm Hole Saw <input type="checkbox"/> Drill stops <input type="checkbox"/> 16mm, 22mm Vinyl Cutters <input type="checkbox"/> Tape Measure <input type="checkbox"/> Steel Rule 	 FITTERS ADVICE	<p>Note: To fit the Cargo Barrier the following is essential:</p> <ul style="list-style-type: none"> <input type="checkbox"/> Always drill perpendicular to surface (Unless stated otherwise). <input type="checkbox"/> A positive drill stop should always be used to prevent accidental damage to external panels, fuel lines etc. <input type="checkbox"/> A vinyl cutter assembly should be used for all soft material (ie. Hood lining, floor covering etc). This can be made by grinding the teeth from a hole-saw at an angle of about 45 degrees. <input type="checkbox"/> Care should be taken when applying Tekote Sealer/Rust Preventative to all holes drilled to negate the possibility of skin and eye irritation. <input type="checkbox"/> Check screws in relevant components by hand before installation. Should there be resistance re-tap threads and re-check. <input type="checkbox"/> Before marking or drilling for this Cargo Barrier, check vehicle for LPG Conversion. If LPG is fitted, locate gas unit and all lines attached and take EXTREME CARE whilst installing this Cargo Barrier. <p style="text-align: center;">CARE SHOULD BE TAKEN NOT TO CROSS THREAD THE FASTNERS DURING INSTALLATION OF COMPONENTS TO THE VEHICLE.</p>
-----------------------	---	-------------------------------	---

CARGO BARRIER PARTS LIST

<u>Item No</u>	<u>Component No.</u>	<u>Qty</u>	<u>Component Description</u>
1	405490	1	Cargo Barrier Panel (Not Shown)
2	754000	2	Mounting Plate - Short
3	754590	2	Mounting plate - Long
4	754726	2	Metal Cover Plate Assy. with 10mm Spacer
5	754777	2	Metal Cover Plate Assy. - Long
6	754070	2	Concealed Cover Plate - Recessed
7	912005	8	$\frac{5}{16}$ " BSW x $1\frac{1}{4}$ " CSK Screw
8	912835	4	Milbolt M10 x 1.5 x 34mm
9	932125	4	$\frac{3}{8}$ " Crinkle Washer
10	754546	4	Spacer Tube – 10mm
11	906300	1	Tekote Sealer/Rust Preventative (Not Shown)
12	754200	2	Installation Tool - Short
13	754749	1	Installation Tool - Long
14	905017	2	Adhesive Warning Label (Not Shown)
15	906302	1	Cleaning Pad (Not Shown)



MOUNTING POINT LOCATIONS

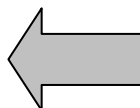
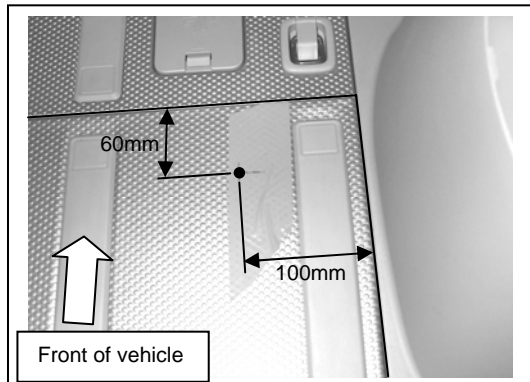


MARK TOP CENTRE HOLES

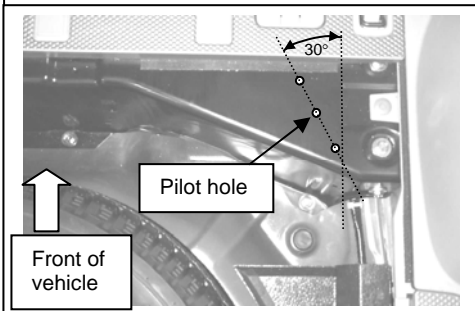
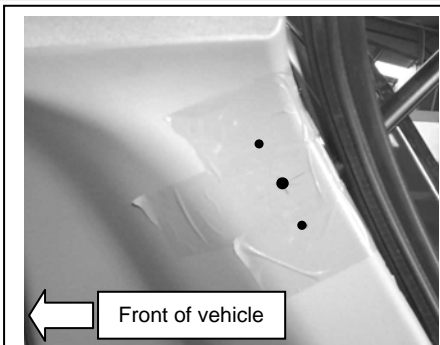
1. Remove rubber tailgate seal at top corners of opening.
2. Following the contour of the plastic trim, measure vertically down from top edge of rear quarter trims 90mm.
3. From rear edge of trim measure perpendicular, 32mm towards front of vehicle as shown in picture.
4. Where the lines intersect is the M10 centre hole location of the mounting plate (Item 2). Mark this location. (This location should line up with trim fastener behind plastic trim).
5. Repeat markup on LHS.
6. Unclip top trim fastener on each side and remove spring steel clip by sliding downward with long nose pliers. (Take care not to drop behind trim)
7. Push trim back into place.

MARK FLOOR MOUNT CENTRE HOLES

1. Locate rearward floor panel in rear cargo area.
2. From front edge of floor panel on RHS measure 60mm towards rear of vehicle as shown.
3. From outside edge of floor panel on RHS measure 100mm towards centre of vehicle as shown. Where lines intersect is M10 centre hole location of the mounting plate (Item 3). Mark this location.
4. Repeat mark up on LHS.
5. Drill 5mm pilot hole through floor panel & metal panel behind at two locations marked.
6. Remove floor panel and wheel well styrene moulding below from vehicle.



MARKING OF OUTER HOLES FOR ALL MOUNTS



* Use Positive Drill Stop!

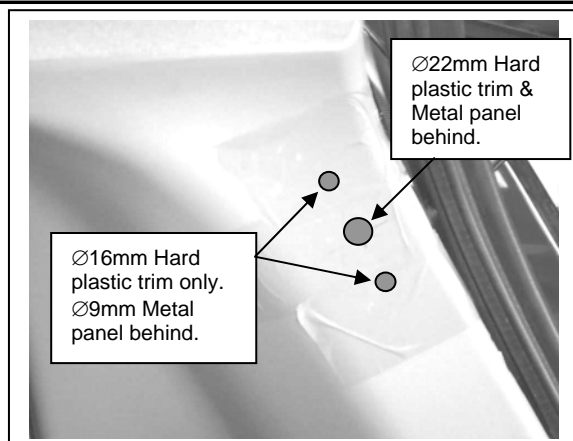
1. Using mounting plate (Item 2) as a template, place the centre M10 hole centrally over all marked roof location points only.
2. Mark outer holes as follows.

Top Mounts – Parallel with back edge of quarter plastic trim as shown.

Floor Mounts –

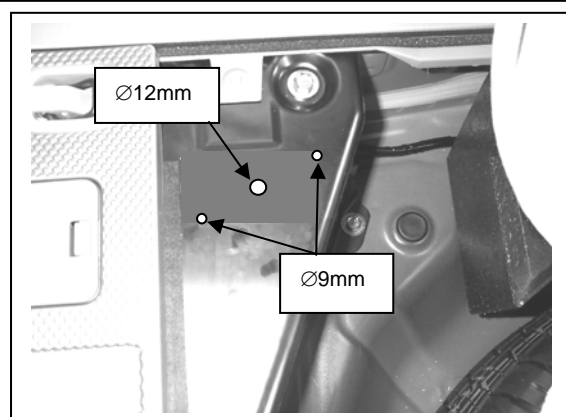
3. Using long mounting plate (Item 3) as a template, place the centre M10 hole centrally over pilot hole drilled earlier. The mounting plate should be angled at approximately 30° to centre line of vehicle as shown.
4. Mark outer holes.
5. Repeat on LHS with mounting plate angle mirrored.
6. Centre punch all marked locations.

DRILLING PROCEDURE FOR TOP MOUNTS



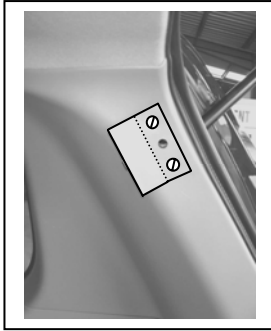
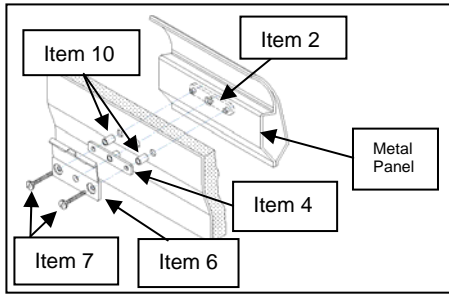
1. Pilot drill all hole locations to Ø5mm. *
2. Using Ø22mm Hole Saw drill out centre holes only through hard plastic trim and metal panel behind. * (*Hole saw drill bit should only protrude 5mm past hole saw for this operation to avoid damaging panel behind*).
3. Using Ø16mm Hole Saw drill out outer holes through hard plastic trim only.
4. Using Ø9mm drill bit, drill out outer holes through metal panel. *
5. Vacuum away all swarf.
6. Apply Tekote Sealer/Rust Preventative (Item 11) to all drilled holes to prevent corrosion.

DRILLING PROCEDURE FOR FLOOR MOUNTS



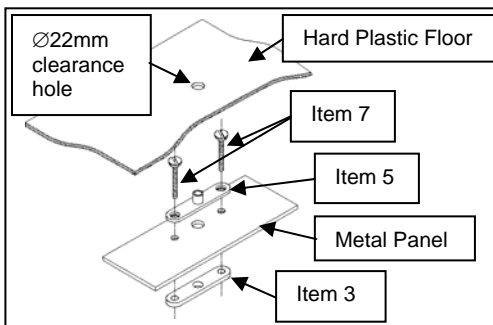
1. Pilot drill outer holes Ø5mm.
2. Using Ø12mm drill bit drill out centre holes only.
3. Using Ø9mm drill bit drill out outer holes.
4. Vacuum away all swarf.
5. Apply Tekote Sealer/Rust Preventative (Item 11) to all drilled holes to prevent corrosion.

INSTALLATION OF TOP MOUNTS



1. Insert 10mm spacer tubes (Item 10) into outside holes of hard roof trim.
2. Insert eye of Short Installation Tool (Item 12) through centre M10 hole in short mounting plate (Item 2).
3. Insert mounting plate through 22mm hole in cantrail.
4. Once mounting plate is inserted align outer holes with those in cantrail.
5. Whilst keeping hold of installation wire slide centre hole of Metal Cover Plate with 10mm Spacer tube (Item 4) over. Spacer tube must face towards outside of vehicle.
6. Next slide centre hole of concealed cover plate (Item 6) over installation wire with lid facing towards front of vehicle as shown in photograph.
7. With all holes aligned fit 5/16" x 11/4" Countersink Screws (Item 7) to outside holes.
8. Remove installation tool and fit Milbolt (Item 8) to centre M10 thread temporarily to align centre holes, whilst tightening 5/16" screws.

INSTALLATION OF FLOOR MOUNTS



1. Insert the eye of the long installation tool (Item 13) through centre M10 hole of the long mounting plate (Item 3).
2. Feed installation tool through opening under floor panel & through 12mm centre hole. Pull mounting plate into position on underside of floor panel with outer holes aligned.
3. Whilst keeping hold of installation wire slide centre hole of Long Metal Cover Plate with Spacer (Item 5) over. Spacer tube must face upwards.
4. With all holes aligned fit 5/16" x 11/4" Countersink Screws (Item 7) to outside holes
5. Remove installation tool and fit Milbolt (Item 8) to centre M10 thread temporarily to align centre holes, whilst tightening 5/16" screws.
6. Using Ø22mm hole saw enlarge pilot holes in plastic floor panel to allow clearance over floor mount spacers.
7. Vacuum away swarf/dust and refit panel to vehicle.

INSTALLATION OF WARNING LABELS

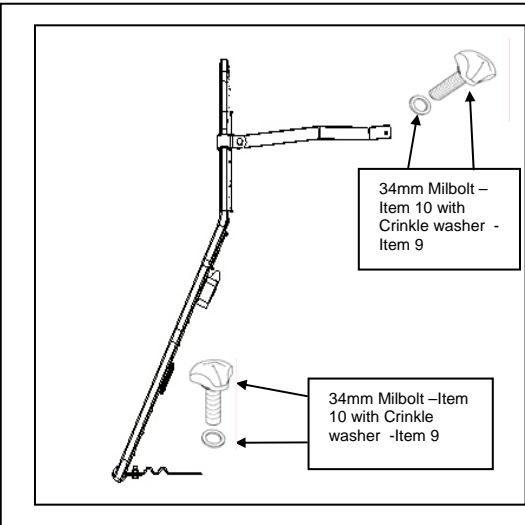


- Clean area at side of dashboard where label is to be affixed with Cleaning Pad (Item 15), & allow to dry.
- Affix label (Item 14) in location shown. Light pressure should be applied to adhere label to surface



- Clean the area around the rear door where label is to be affixed with Cleaning Pad (Item 15), and allow to dry.
- Affix label (Item 14) in location shown. Light pressure should be applied to adhere label to surface

INSTALLATION OF CARGO BARRIER



- With the second row of seats in an upright position, stand the cargo barrier assembly (Item 1) directly behind seats.
- (Note: Seats cannot be fully reclined in this position)
- The Cargo Barrier compliance plate must be in the top right hand corner, and facing towards the rear of the vehicle.
- Attach the longer top & shorter bottom straps to mounts with Milbolts as shown.
- Refit cargo blind if fitted.

CHECK THAT ALL BOLTS, NUTS AND SCREWS ARE TIGHT AND RE-CHECK PERIODICALLY