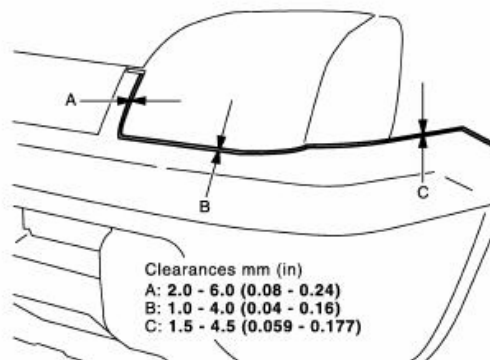
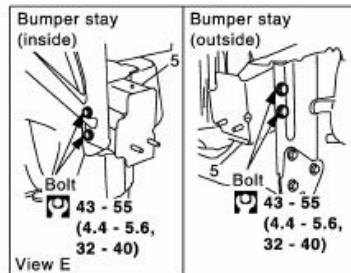
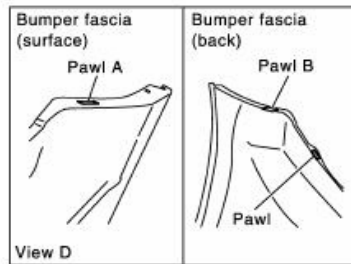
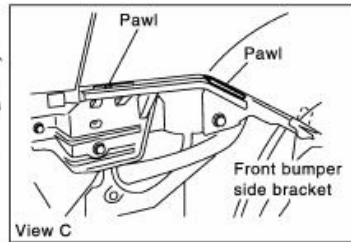
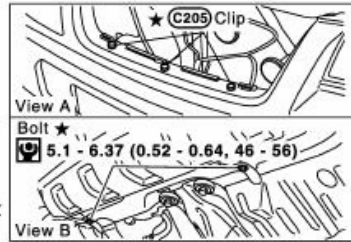
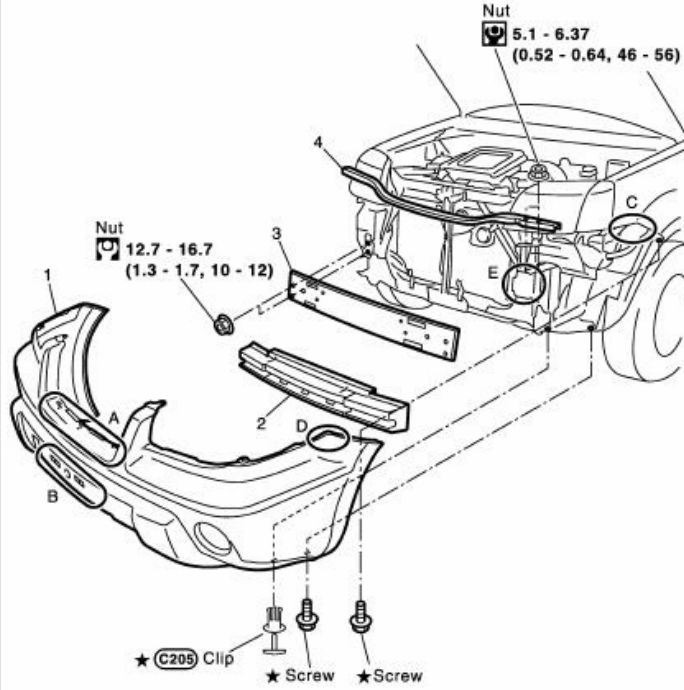


Nissan X-Trail T30 Front & Rear Bumper and Front Grille Removal Process

FRONT BUMPER

SEC. 620



$\left[\begin{array}{c} \text{N} \cdot \text{m} \\ \text{kg} \cdot \text{m} \\ \text{in} \cdot \text{lb} \end{array} \right]$: N·m (kg·m, in·lb)

$\left[\begin{array}{c} \text{N} \cdot \text{m} \\ \text{kg} \cdot \text{m} \\ \text{ft} \cdot \text{lb} \end{array} \right]$: N·m (kg·m, ft·lb)

★ : Bumper assembly mounting bolts, nuts and clips

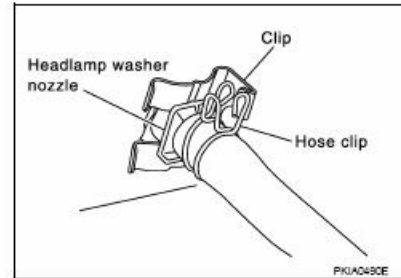
1. Front bumper fascia
2. Energy shock absorber
3. Bumper reinforcement
4. Bumper upper retainer
5. Bumper stay

A
B
C
D
E
F
G
H
EI
J
K
L
M

FRONT BUMPER

REMOVAL

1. Remove front grille. Refer to [EI-19, "Removal and Installation"](#).
2. Remove mounting screws and clips on RH/LH front fender protector.
3. Remove front bumper fascia mounting screws from RH/LH front fender.
4. Remove clips from the top surface of front bumper and bolts from the lower surface.
5. Remove headlamp washer hose clips.



6. Press down tabs A (1 each on left/right sides) on bumper fascia to remove. Then disengage tabs B (1 each on left/right sides) on the fender and remove bumper fascia assembly.

CAUTION:

When removing bumper fascia, 2 workers are required so as to prevent it from dropping.

7. Remove energy shock absorber.
8. Remove mounting nuts from bumper reinforcement assembly.
9. Remove mounting nuts from bumper upper retainer assembly.
10. Remove mounting bolts from bumper stay assembly.
11. Remove headlamp washer nozzle from front bumper fascia assembly. Refer to [WW-26, "Removal and Installation of Headlamp Washer Nozzle"](#).

INSTALLATION

Installation is in the reverse order of removal.

NOTE:

After installation, adjust the clearance.

REAR BUMPER

REAR BUMPER

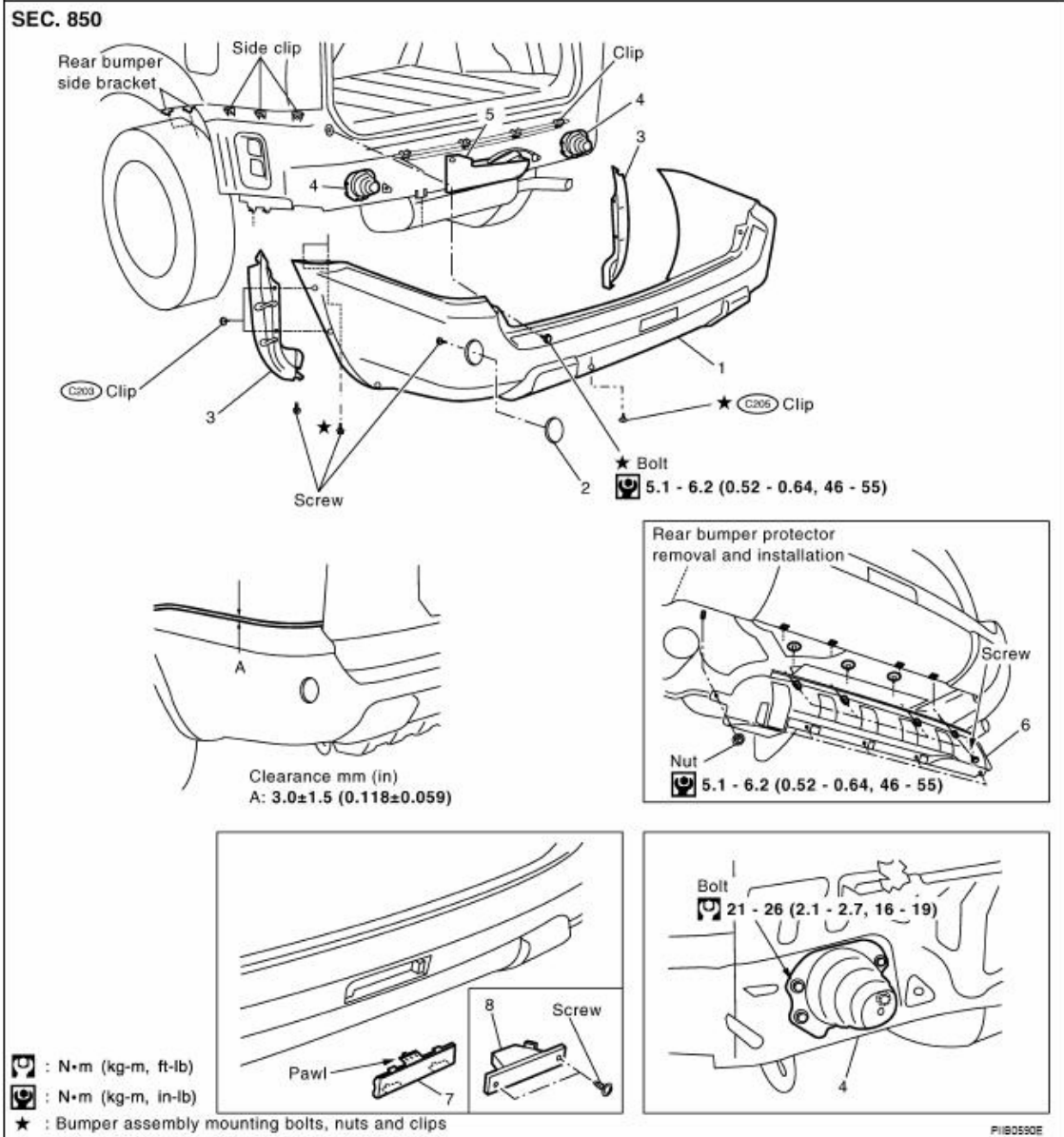
PF0:H5022

Removal and Installation

BIS000FV

CAUTION:

Bumper fascia is made of resin. Do not apply strong force to it, and be careful to prevent contact with oil.



- | | | |
|-------------------------|--------------------------------|--------------------------|
| 1. Rear bumper fascia | 2. Reflector | 3. Chipping protector |
| 4. Bumper stay | 5. Rear bumper energy absorber | 6. Rear bumper protector |
| 7. Rear bumper finisher | 8. Rear fog lamp | |

REMOVAL

1. Remove mounting nuts on rear bumper protector.
2. Remove RH/LH chipping protector.
3. Remove mounting screws on RH/LH rear fender protector.

REAR BUMPER

4. Remove mounting bolts and clips on rear bumper fascia.
5. Spread bumper fascia toward the outside and remove it from the side clips.
6. Remove rear fog lamp connectors. Pull bumper fascia assembly straight rearward to remove.

CAUTION:

When removing bumper fascia, 2 workers are required so as to prevent it from dropping.

7. Remove mounting bolts on bumper stay.
8. Remove rear bumper finisher, or rear fog lamps, and the reflectors from bumper.

INSTALLATION

Installation is in the reverse order of removal.

NOTE:

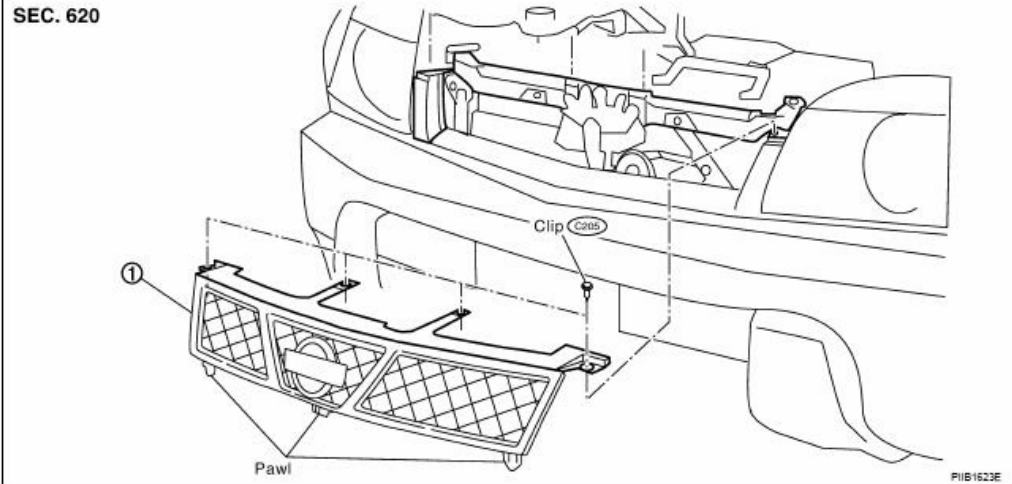
After installation, adjust the clearance.

FRONT GRILLE

FRONT GRILLE Removal and Installation

PPF:62310

B/S020P/W



REMOVAL

CAUTION:

Apply protection tape around outer circumference of front grille (bumper fascia side).

1. Remove installation clips from top edge of grille.
2. Remove clips from the lower surface of grille, and lift upwards to remove.

INSTALLATION

Installation is in the reverse order of removal.

A

B

C

D

E

F

G

H

EI

J

K